

Pallet Lifters

PL

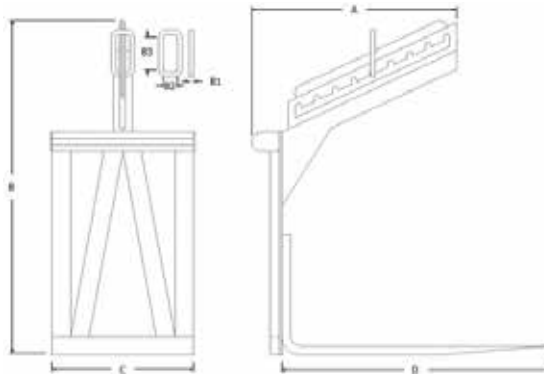
Pallet Lifter is an under-the-hook lift device designed for lifting pallets with a crane.

★★ American Made ★★

PRODUCT DESCRIPTION



- Adjustable Lift Points eliminate the need for a counter-weight.
- Pallet Lifts can be ordered with fixed or adjustable forks.
- Pallet Lifts are fabricated with high strength, forged OEM forklift forks.
- CMW standard lift is rated at 2½ tons.
- Pallet Lift available up to 5 tons on request.
- Pallet Lifts available in custom sizes.
- Lifting bails are made from 80 KSI steel. The structure body is fabricated from high-quality domestic steel for strength and durability.
- Welds are performed by CMW fabricators certified in AWS D14.1.
- Finish: Safety Red, unless otherwise specified.
- All designs, development, production, load test and certification are performed by CMW engineers and technicians at the CMW facility in Columbia, Tennessee, according to Standards: B30.26-2010, B30.10.2014, B30.20-2013, ASME BTH-1-2013, CEI IEC 60239, DIN EN 13155.
- Each Pallet Lifter is tagged with the CMW name, address, product part number, manufacture working load limit, date of manufacture, weight of product and product serial number for traceability and load test certification.
- CMW offers inspection, service, repair, and recertification to any brand of pallet lifter.



Part Number	Capacity	Frame Length "A"	Frame Width "B"	Frame Width "C"	Fork Length "D"	Fork Centerline	Lift Bail			Product Weight
	tons	in	in	in	in	in	in	in	in	lbs
PL – 2.5T-48	2½	44	71½	30½	48	24½	1	3	7	1,100
PL – 2.5T-60	2½	44	71½	30½	60	24½	1	3	7	1,100

PL weights are approximate.



Safe lifting and handling is priority at Columbia Machine Works. Pallet Lifters are designed to 4x the WLL and tested and certified to 2x the WLL. Repairs and modifications should be performed only by a qualified CMW technician.

FOR SALES CONTACT: COLUMBIA MACHINEWORKS OR EXO TECHNOLOGIES

1940 Oakland Pkwy., Columbia, TN 38401
 ph: (800) 676-2694 or (931) 388-6202
 fx: (931) 388-8128
 info@columbiamachineworks.com
 www.columbiamachineworks.com



P.O. Box 302
 Cedarburg, WI 53012
 ph: (262) 375-1212
 fx: (888) 778-0953
 mark@exosteel.com

